



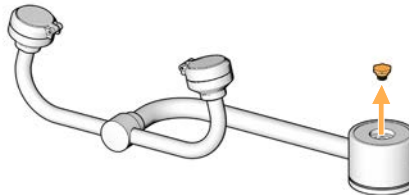
1

With a small flat head screwdriver, pry the cover plate from the top of the valve and discard.



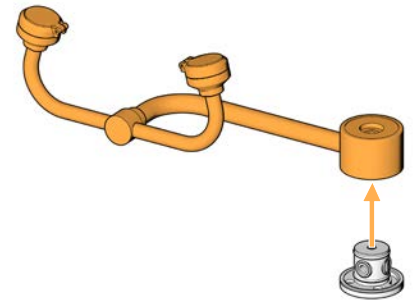
2

Remove the retaining screw using a 9/16" socket wrench.



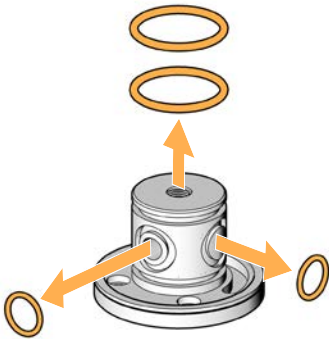
3

Gently lift the eye wash assembly away from the valve body.

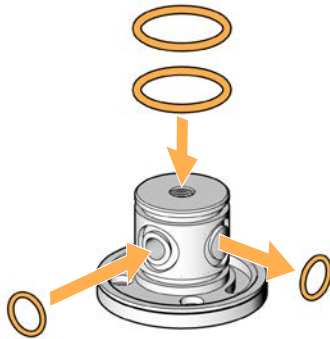


4

Replace the two large O-rings sitting horizontally around the valve body, as well as the small O-ring situated around the valve opening. O-rings are furnished with repair kit.

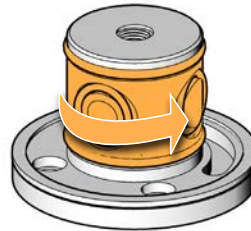


5



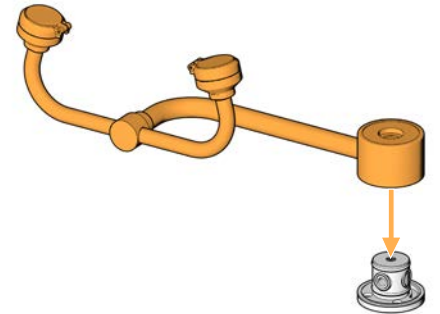
6

Apply a layer of silicone lubricant (Polysi Technologies PST-599 or equivalent) to the valve body and O-rings to facilitate smooth operation.



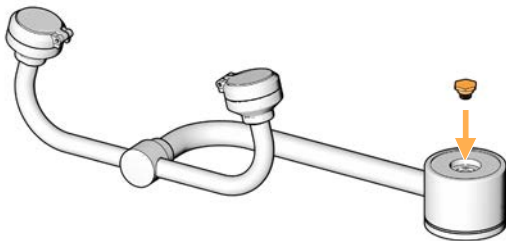
7

Gently lower the eye wash assembly back down over the valve body.



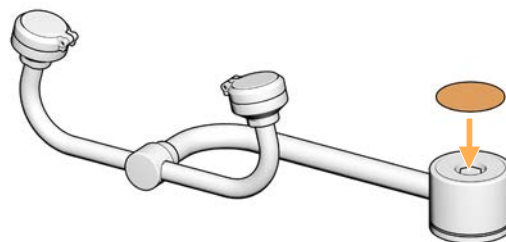
8

Replace the retaining screw.



9

Replace the cover plate. New cover plate furnished with repair kit.

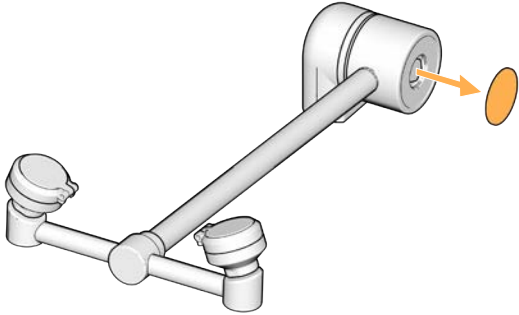


Important Notes:

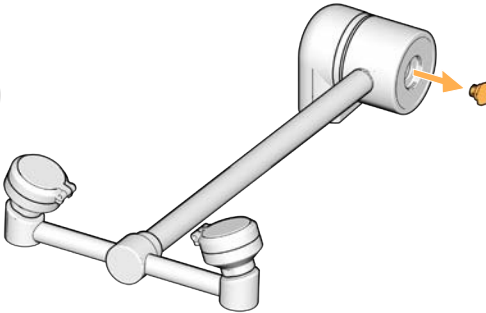
1. Disconnect water supply prior to disassembly.
2. Flush water lines to clear debris prior to operation.
3. Test all emergency equipment weekly.



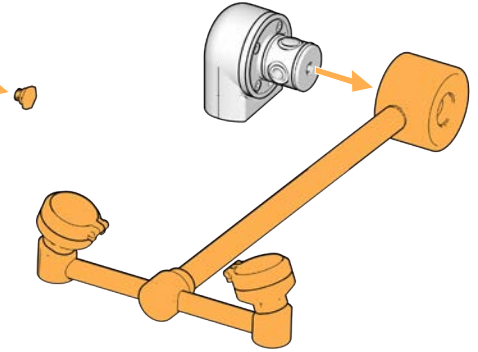
1 With a small flat head screwdriver, pry the cover plate from the side of the valve and discard.



2 Remove the retaining screw using a 9/16" socket wrench.

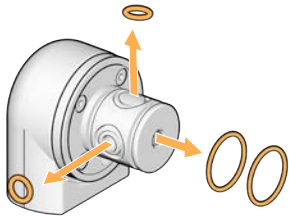


3 Gently pull the eye wash assembly away from the valve body.



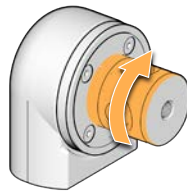
4

Replace the two large O-rings sitting horizontally around the valve body, as well as the small O-ring situated around the valve opening. O-rings are furnished with repair kit.



5

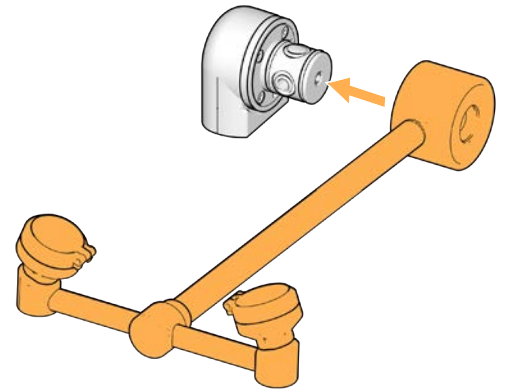
Apply a layer of silicone lubricant (Polysi Technologies PST-599 or equivalent) to the valve body and O-rings to facilitate smooth operation.



6

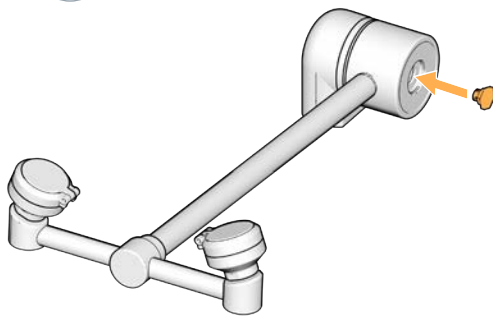
7

Gently push the eye wash assembly back onto the valve body.



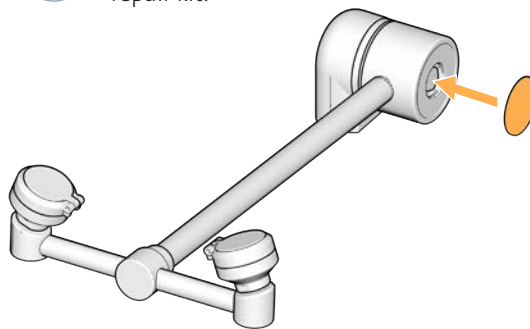
8

Replace the retaining screw.



9

Finally, replace the cover plate. New cover plate furnished with repair kit.

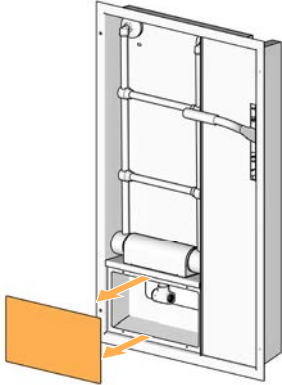


Important Notes:

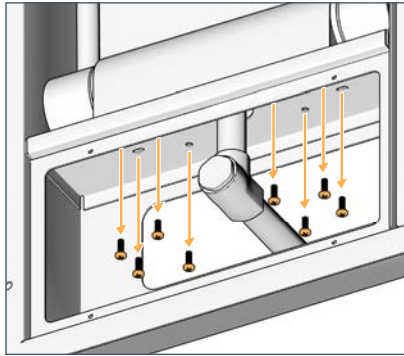
1. Disconnect water supply prior to disassembly.
2. Flush water lines to clear debris prior to operation.
3. Test all emergency equipment weekly.



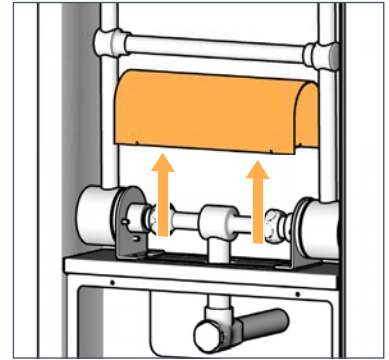
1 Remove the access panel at the bottom of the unit by taking the (4) screws, or pulling to disengage Velcro.



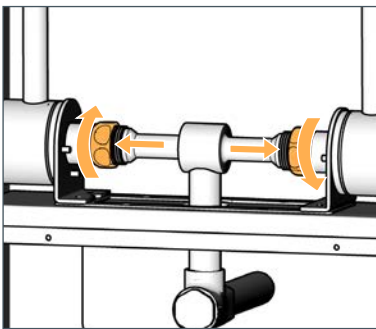
2 Remove the (8) screws from the underside of the cabinet in order to free the rounded enclosure covering the valve assembly above.



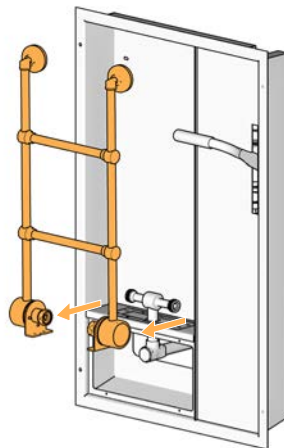
3 Remove the rounded cover from the assembly.



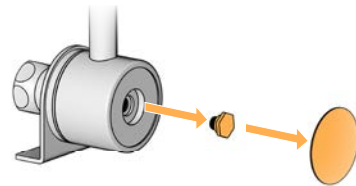
4 Loosen the union nuts on each side to free the valve/eye wash assembly from the cabinet.



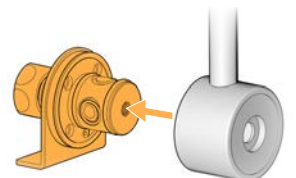
5 Remove the valve/eye wash assembly.



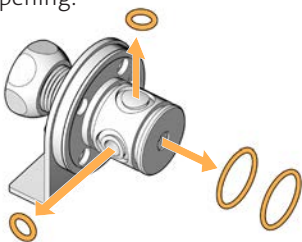
6 With a small flat head screwdriver, pry the cover plate from the side of the valve and discard. Remove the retaining screw with a 9/16" socket wrench.



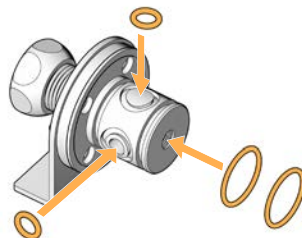
7 Gently pull each valve body away from the eye wash assembly.



8 Remove the two large O-rings sitting vertically around the valve body, as well as the small O-ring situated around the valve opening.



9 Replace the two large O-rings sitting vertically around the valve body, as well as the small O-ring situated around the valve opening. (O-rings furnished in repair kit)



10 Apply a layer of silicone lubricant (Polysi Technologies PST-599 or equivalent) to the valve body and O-rings to facilitate smooth operation.



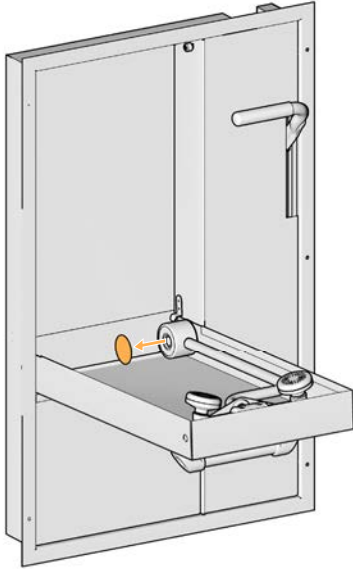
Important Notes:

1. Disconnect water supply prior to disassembly.
2. Flush water lines to clear debris prior to operation.
3. Test all emergency equipment weekly.

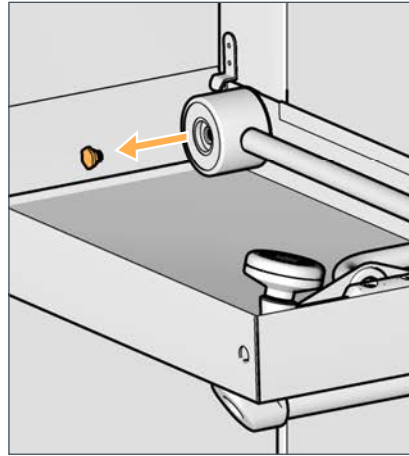
11 Reassemble unit as described in steps 1-7



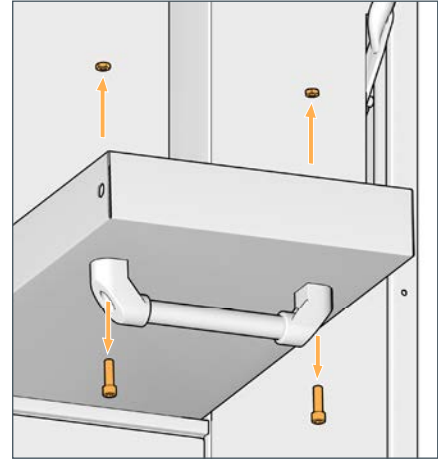
- 1** With a small flat head screwdriver, pry the cover plate from the side of the valve and discard.



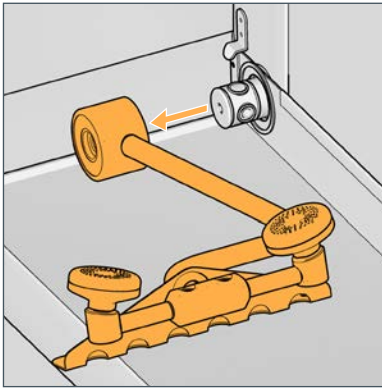
- 2** Remove the retaining screw with a 9/16" socket wrench.



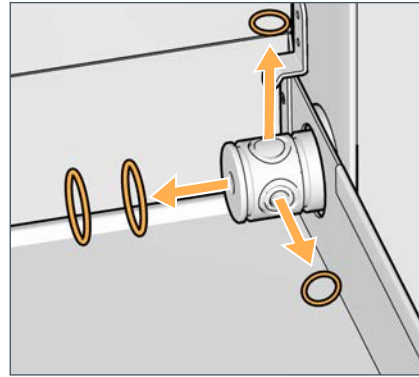
- 3** Remove handle (freeing up the eye wash assembly) by taking out the screws on each end.



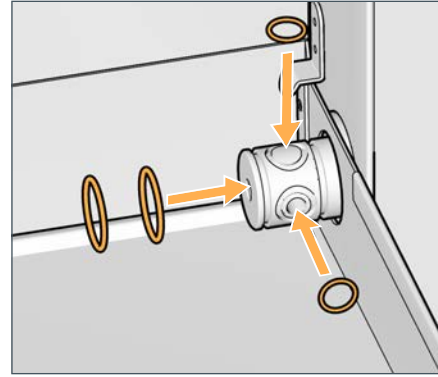
- 4** Gently slide the eye wash assembly away from the valve body.



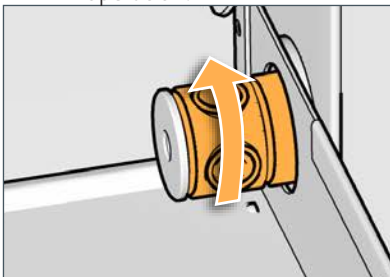
- 5** Remove the two large O-rings as well as the small O-ring situated around the valve opening.



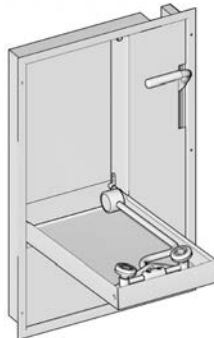
- 6** Replace the two large O-rings as well as the small O-ring. (O-rings supplied in repair kit)



- 7** Apply a layer of silicone lubricant (Polysi Technologies PST-599 or equivalent) to the valve body and O-rings to facilitate smooth operation.



- 8** Reassemble unit as described in steps 1-4



Important Notes:

1. Disconnect water supply prior to disassembly.
2. Flush water lines to clear debris prior to operation.
3. Test all emergency equipment weekly.